

REEL E-Z[®]

Portable Pumping and Sampling System



FEATURES

- Lightweight aluminum
- One-person portability
- 250' HAPPY HOSE! capacity
- Easy decontamination
- Cable guide for HAPPY HOSE!
- Installs vertically or horizontally
- Locking holster for pump storage
- Removable reel handle
- Can be shipped U.P.S.

DESCRIPTION

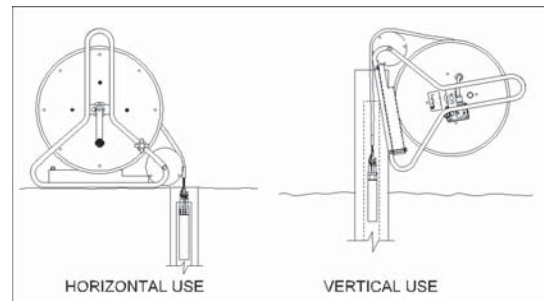
The Reel EZ is a compact system designed to provide a convenient way to store and operate the Grundfos[®] RediFlo-2[®] Pump. When used with INW's HAPPY HOSE! (cable, tubing and safety cable bonded together) the system easily installs the pump in the well, locks it in place and allows for easy take up and cleaning without cable entanglement. The roller guide protects the cable from well damage and the Reel EZ can accommodate both above and below-grade well applications.

OPERATION

The Reel EZ system is used in portable sampling and pumping applications in small diameter wells as deep as 250 feet. The system can be purchased with optionally installed check valve to prevent back flow, or with a wheel kit for easier transport. INW also now offers the system installed only with Happy Cable (combination electrical conductors and safety wire rope) for customers that want to use the system with various types of tubing.

APPLICATIONS

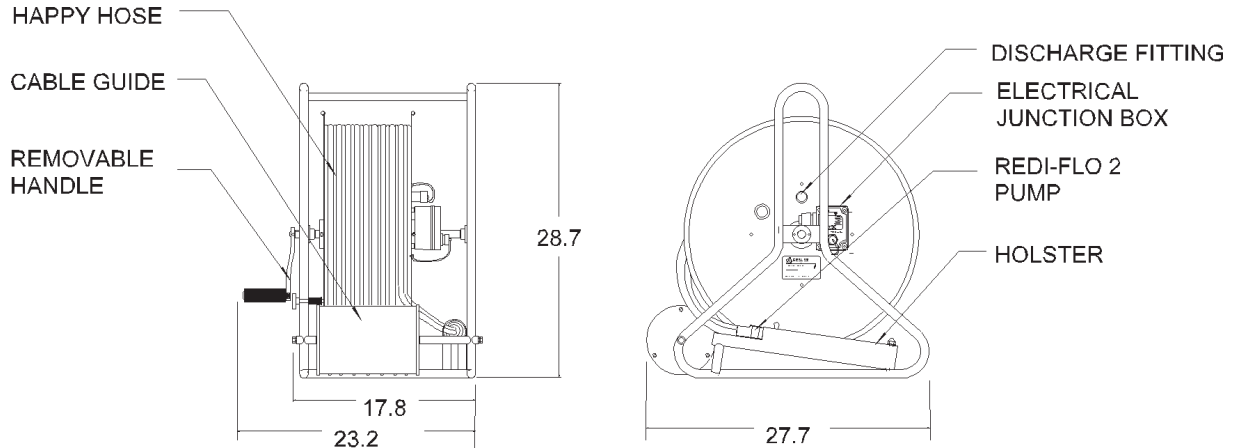
- Well purging/high & low flow sampling
- Pump tests





REEL E-Z[®]

DIMENSIONS AND SPECIFICATIONS



HOW TO ORDER

- Specify REEL E-Z system.
- Specify HAPPY HOSE! or HAPPY CABLE! material.
- Order options and accessories as needed.

REEL E-Z SYSTEMS w/ HAPPY HOSE!/CABLE!

3P015	100' REEL E-Z System w/ PVC HAPPY HOSE!
3P030	200' REEL E-Z System w/ PVC HAPPY HOSE!
3P302	150' REEL E-Z System w/ TLPE HAPPY HOSE!
3P304	250' REEL E-Z System w/ TLPE HAPPY HOSE!
3P333	250' REEL E-Z System w/ PE HAPPY CABLE!

ACCESSORIES

3P853	SI/MP1-115V/230V Variable Frequency Drive (VFD)
3P210	1/2" ID Tubing Check Valve-Option (factory installed)
3P212	3/8" ID Tubing Check Valve-Option (factory installed)
3J115	.45µm High-Capacity, In-Line Filter
3P175	Removable Pump Shroud
3P110	Wheel Kit

Information in this document is subject to change without notice

MECHANICAL

Weight (without pump & hose)	25 lbs.
Materials of Construction	Aluminum, PE, 300 Series S.S.
HAPPY HOSE! Capacity	PVC: 200' TLPE: 250'
HAPPY CABLE! Capacity	250'
Discharge Fitting	3/4" S.S. standard garden hose thread
Cable Guide	8" diameter
Sample Hose Length	PVC 16' TLPE 8'

ELECTRICAL

Electrical Connector	NEMA 6P rating 4 pole quick connect
Junction Box	NEMA 6P rating
HAPPY CABLE!	
O.D.	7/16"
Jacket	PVC, PE or FEP Teflon
Motor Lead	PVC, Teflon or PE insulated 18 AWG wire
Converter Cable Length	12'

